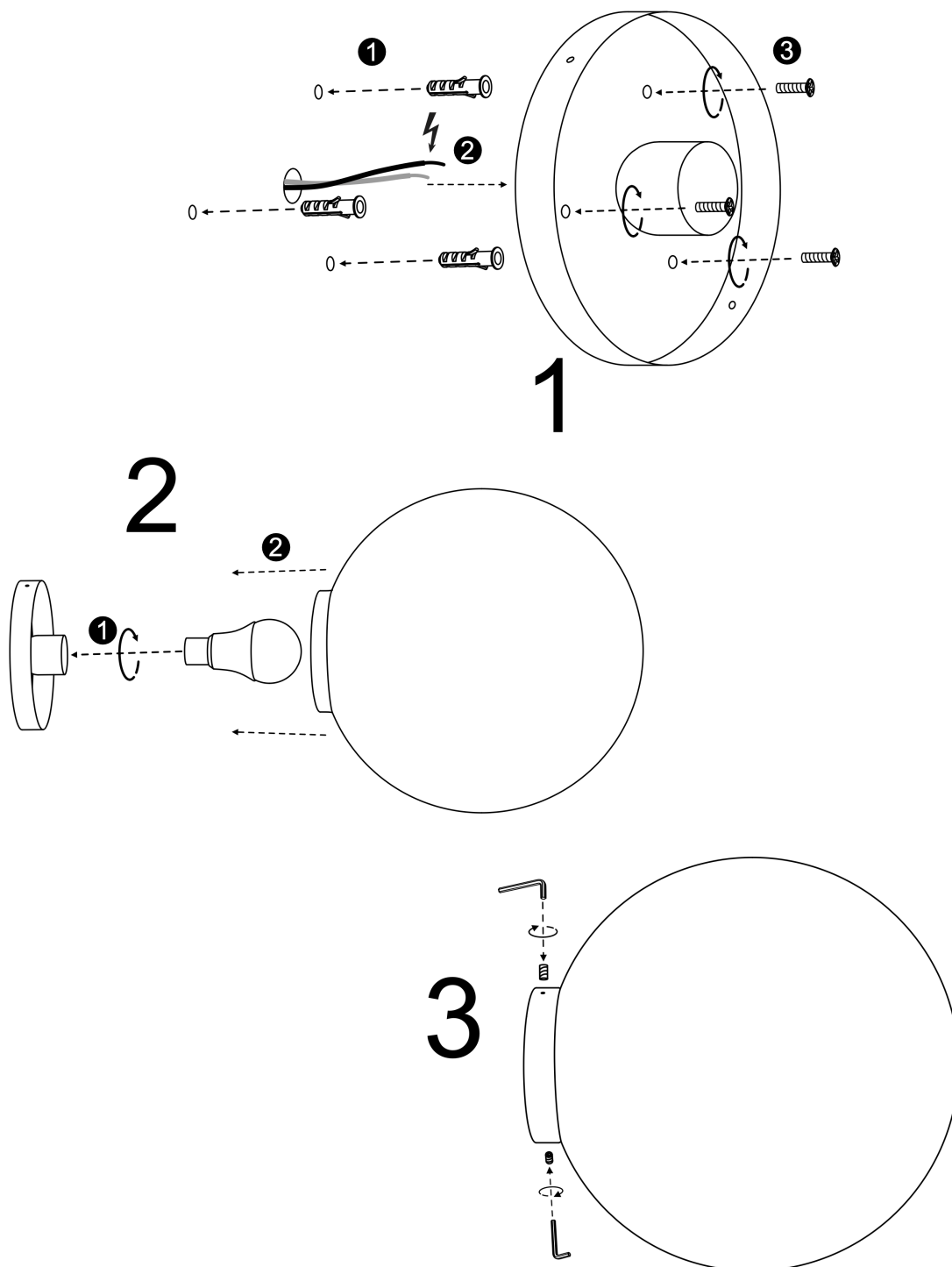
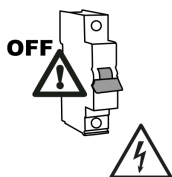


# luxcambra

## Moon a 1

Aplique Wall Lamp Applique

 **A+**  
E-27 LED 12W



# luxcambra

## Moon a 2

Aplique Wall Lamp Applique

 **A+**  
E-27 LED 12W

